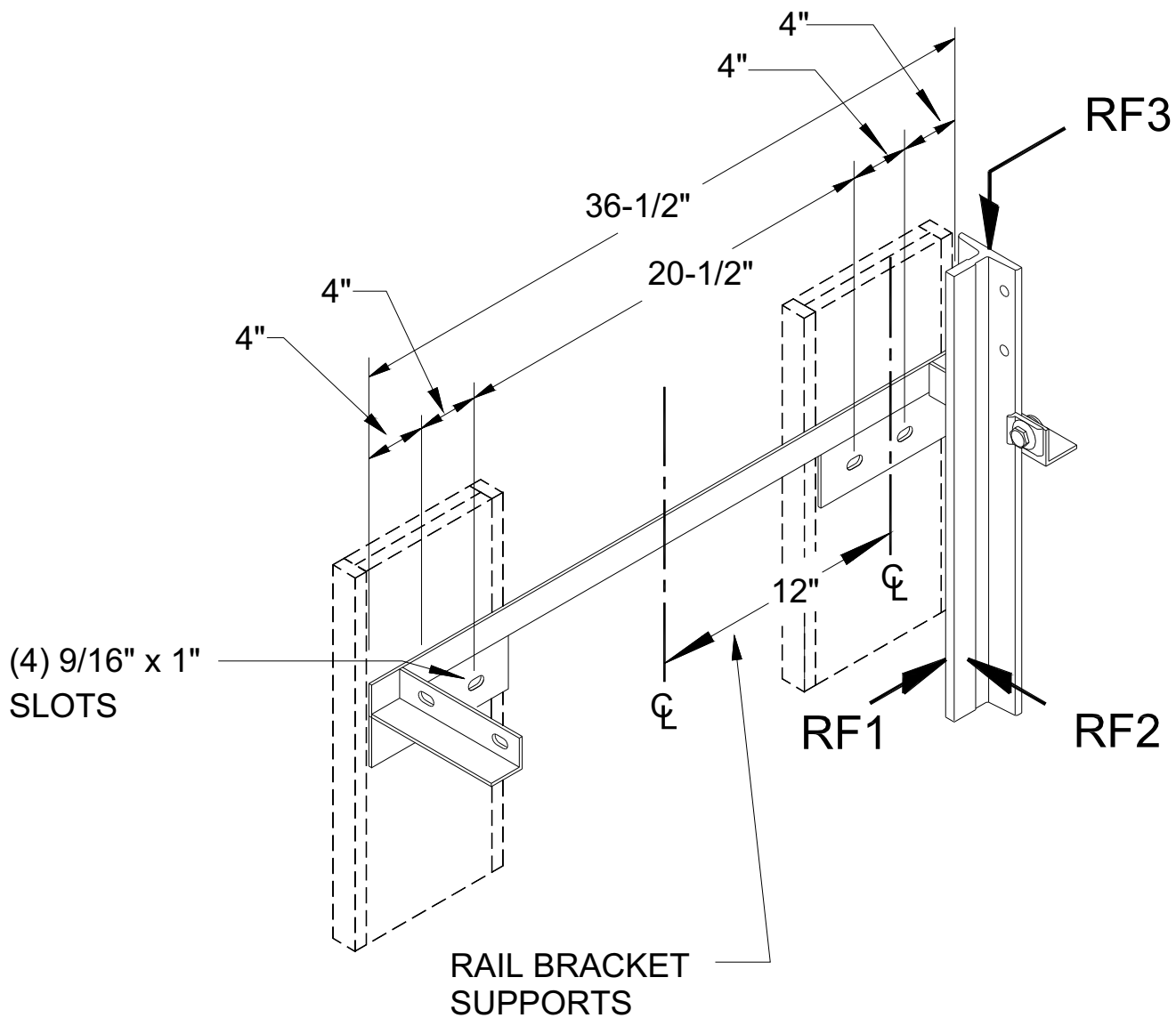


HOME ELEVATORS DIRECT, LLC



RAIL BRACKET / RAIL FORCES

NOT TO SCALE

RF1	109 LBS.
RF2	328 LBS.
RF3 *	3580 LBS.

PROPRIETARY AND CONFIDENTIAL

DRAWING NAME:

DRAWING NUMBER:

THE INFORMATION CONTAINED IN THIS DRAWING IS THE SOLE PROPERTY OF "HOME ELEVATORS DIRECT, LLC" ANY REPRODUCTION IN PART OR AS A WHOLE WITHOUT THE WRITTEN PERMISSION OF "HOME ELEVATORS DIRECT, LLC" IS STRICTLY PROHIBITED.

**RAIL BRACKET
RAIL FORCES**

**HED_RAILBRKT.
RAILFORCES**